

MOA-1721-09

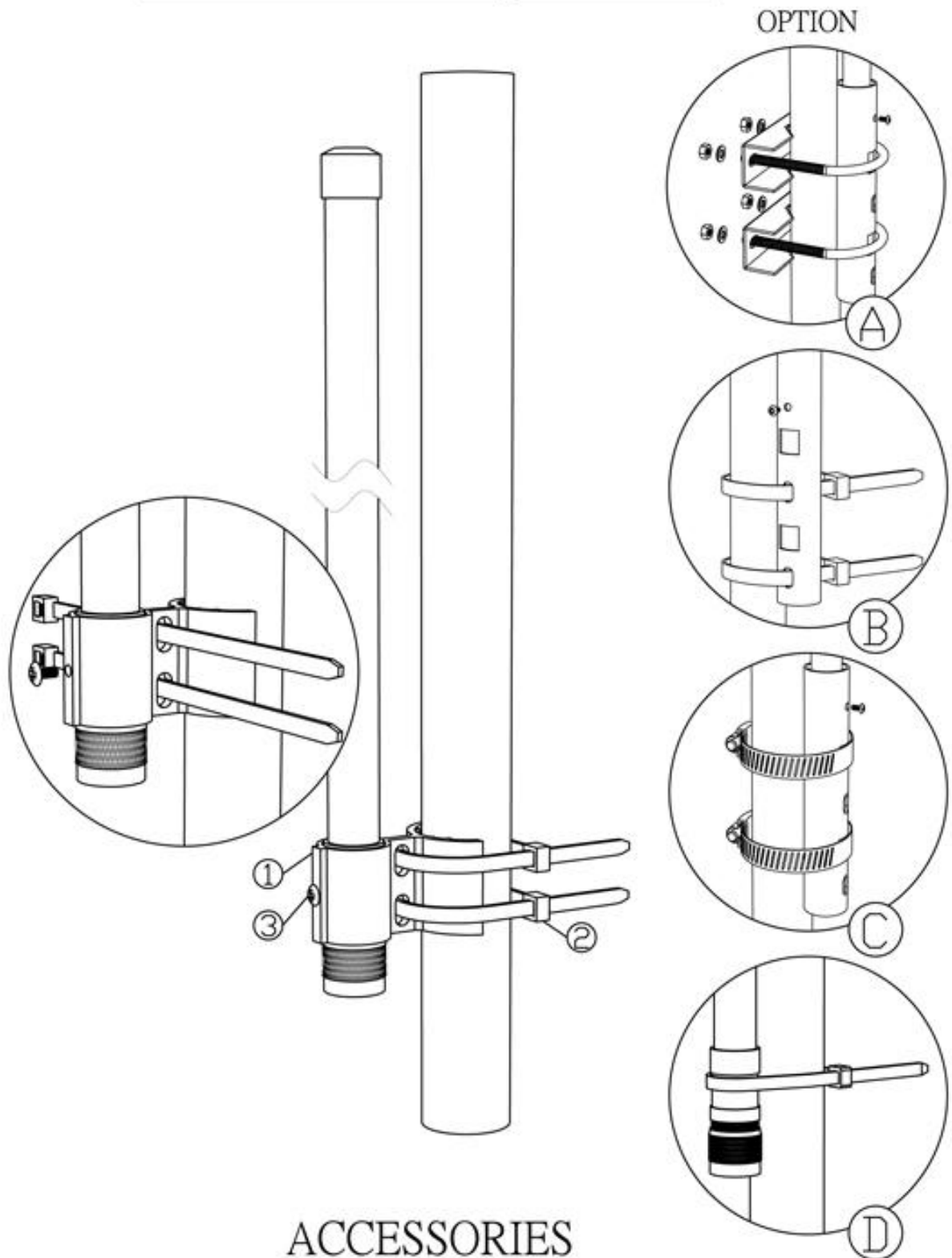
1.71GHz-2.17GHz 09dBi ISM Band



Specification:

Applications:	
Frequency Range	1.71~2.17GHz
V.S.W.R	≤1.5:1
Return Loss	≥-14db
Antenna Type	Collinear
Gain	9dBi
Polarization	Vertical
Maximum Power	50W
Vertical Beam-with	12°
Horizontal Beam-with	360°
Impedance	50Ω
Connector	N-Male
Mechanical Specifications:	
Length	950mm
Diameter	18.8mm
Wind Survival	>120 MPH
Radome Material	White Fiberglass
Operating Temperature	-40°C to +80°C
Clamps	Cable Tie
Mounting	Multiple options
RoHS Compliant	YES

Antenna Mounting Direction



ACCESSORIES

①  * 1 PC

③  * 1 PC

②  * 2 PC