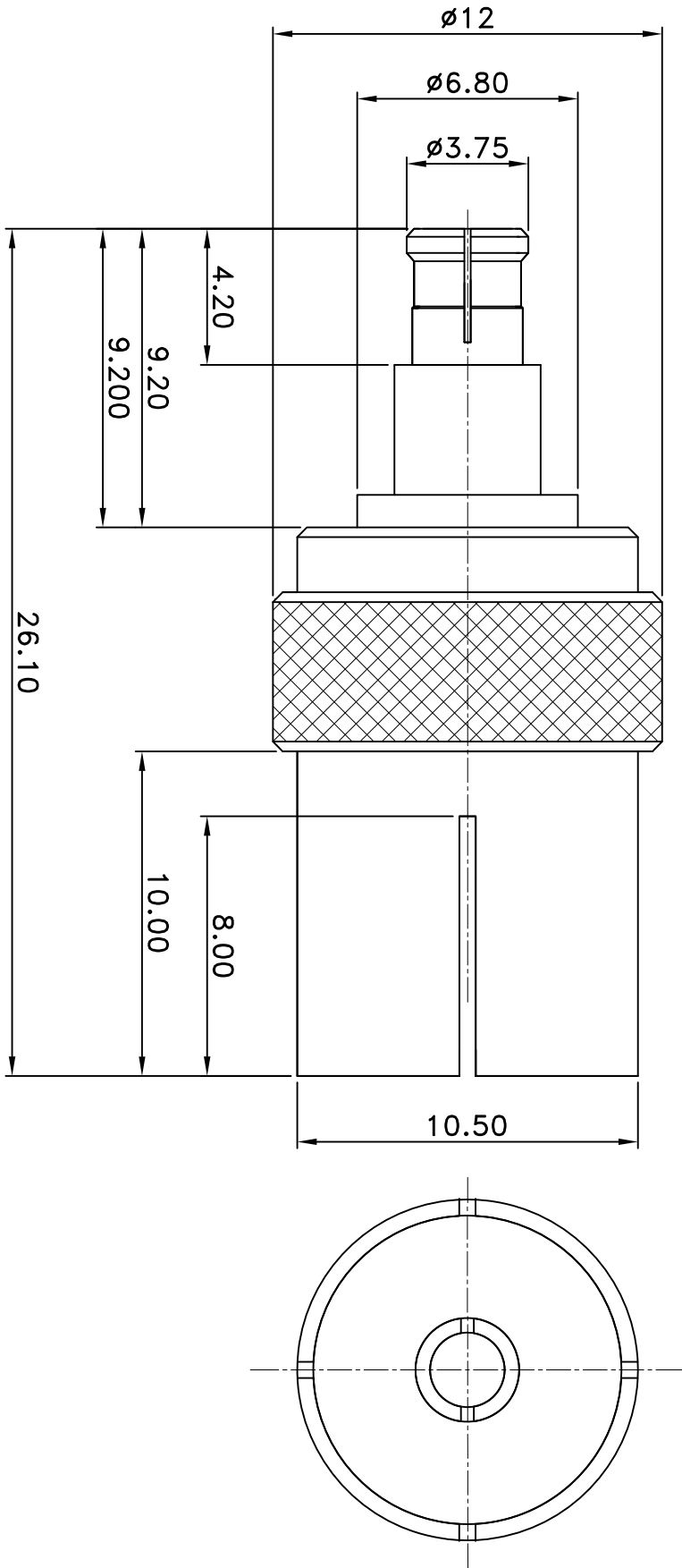


REV	DESCRIPTION	DRAWN	DATE



NO	Description	Qty	Material	Finish
3	DIELECTRIC	1	TEFLON	NONE
2	PIN	1	BRASS	GOLD
1	BODY	1	BRASS	NICKEL

**R&D**

**\* MAJOR DIMENSION**  
 UNLESS OTHERWISE NOTED TOLERANCES  
 0.5-6=±0.2  
 6-30=±0.4  
 30-120=±0.6  
 120-315=±1.0  
 ANGLES=±1°

SCALE 5/1 UNIT MM

**APPROVED**  
**CASH**  
 CHECKED  
 LYDIA  
 DRAWN  
 KEVIN  
 DRAWN DATE 11/11/22

**TITLE**  
 PAL FEMALE TO MCX MALE ADAPTOR  
 DRAWING NO. MCX-950-1-TGN

**RF CASTLE 華城電子有限公司**  
 RF CASTLE ELECTRONICS CO., LTD

REV  
 A