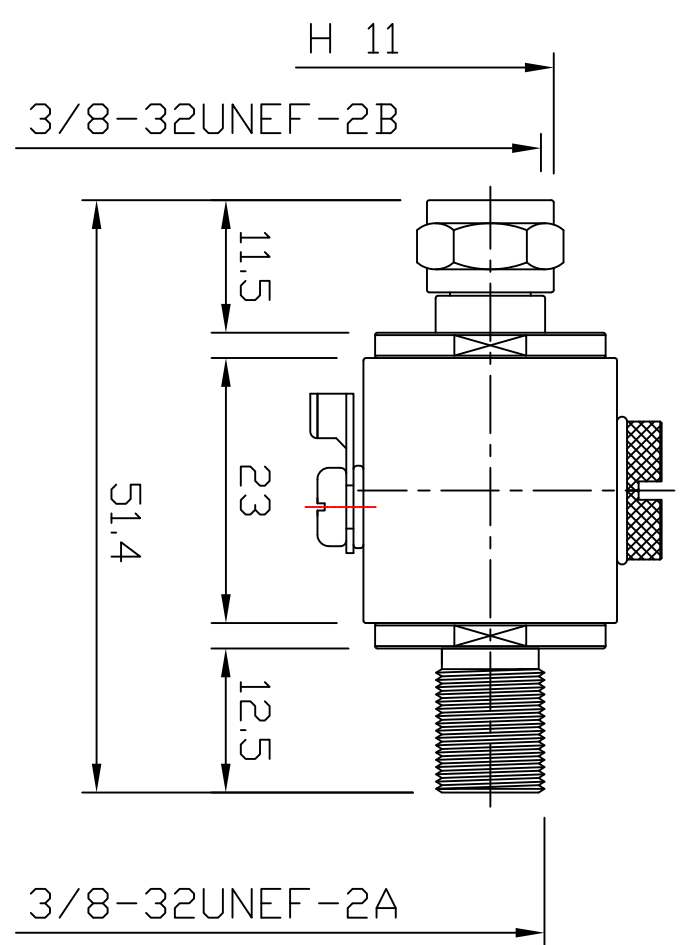
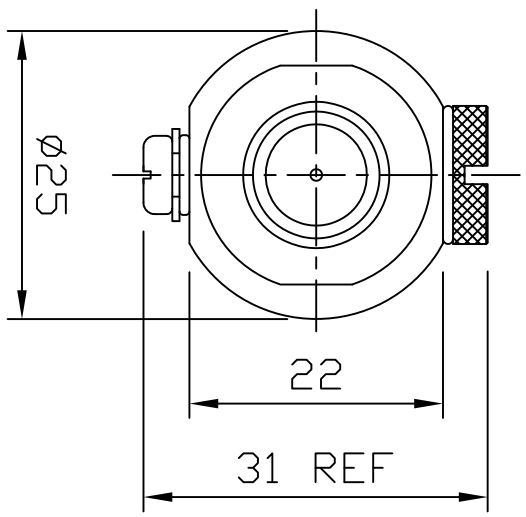
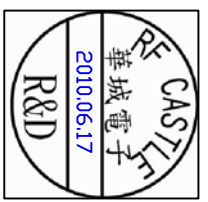



REV	DESCRIPTION	DRAWN	DATE



Lightning Protector 1GHZ  
 Frequency 0-1GHZ  
 VSWR 1:1.6Max  
 Insertion Loss 0.9dBi Max  
 Impedence 75Ohm

Gas Tube DC 230V±20%  
 Breakdown Vol tage ≤700V  
 Gas Tube Impulise Breakdown Vol tage ≥100000M Ohm  
 Resistance  
 Max Withstand Current 5 K V  
 RF Power Rating 15W

R&D			
*MAJOR DIMENSION		APPROVED	
UNLESS OTHERWISE NOTED TOLERANCES		CASH	
0.5-6=±0.2		CHECKED	
6-30=±0.4		LYDIA	
30-120=±0.6		DRAWN	
120-315=±1.0		KEVIN	
ANGLES=±1.0			
SCALE 4/1	UNIT MM	TITLE	
DRAWN DATE 10/06/17		Lightning Protector F MALE TO F FEMALE	
DRAWING NO. LP-20		DRAWING NO.	
REV		REV	
A		A	