



**Applications:**

- 1.92GHz-2.17GHz 09dBi ISM Band
- PCS1900 GSM1900 1.9GHz
- PCS2000 GSM2000 3G 3.5G
- WiFi, CDMA, RFID, GSM
- Public Wireless Hotspot
- Wireless Video Systems

**Features :**

- Superior Performance
- Made with weatherproof and corrosion resistant
- Good appearance designs
- Installed for vertical or horizontal polarization
- Outdoor antenna for public Hot spots
- Heavy Duty mounting
- RoHS Compliant

**SPECIFICATIONS:**

**SPECIFICATIONS:**

**Applications:**

Frequency Range 1.92~2.17GHz

V.S.W.R ≤1.5:1

Return Loss ≥-14db

Gain 16dBi

Polarization Vertical or Horizontal

Maximum Power 100W

Front to Back Ratio -16dB

Vertical Beam-with 30°

Horizontal Beam-with 30°

Impedance 50Ω

Connector N Female

**Mechanical Specifications:**

Size L590 x W84 x D44mm

Weight 320g

Wind Survival >60 MPH

Radome Material Aluminum

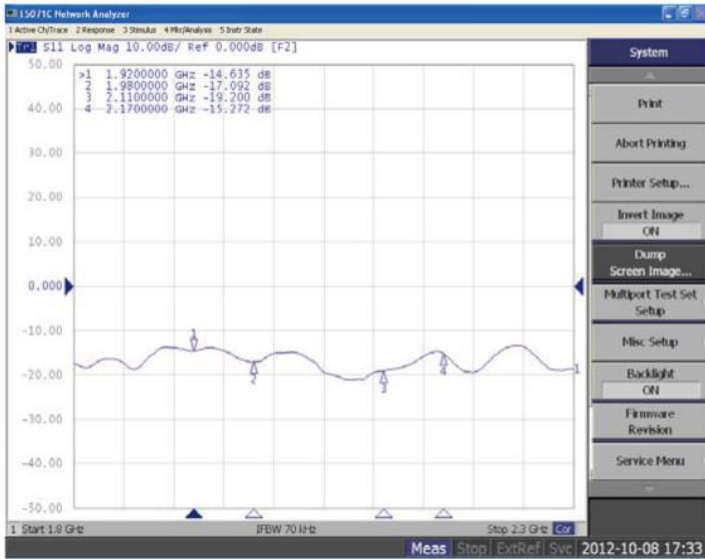
Operating Temperature -40°C to +80°C

Clamps Multiple options

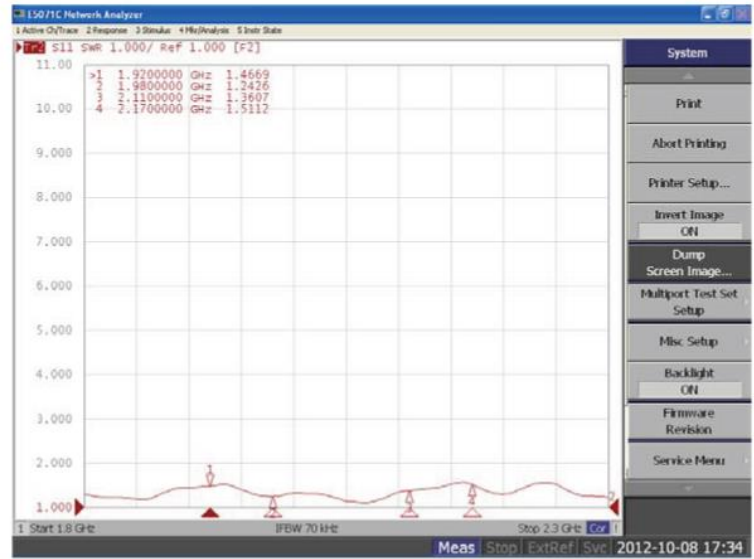
Mounting Multiple options

# TESTING REPORT

## Return Loss



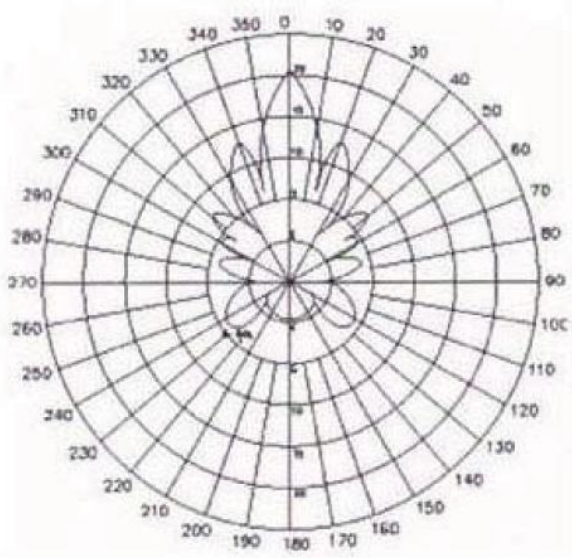
## V.S.W.R



## Antenna Vertical & Horizontal Pattern

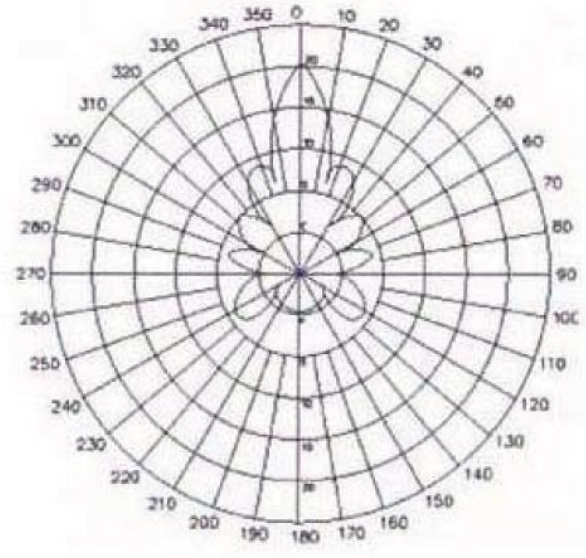
### Vertical

#### P-Line

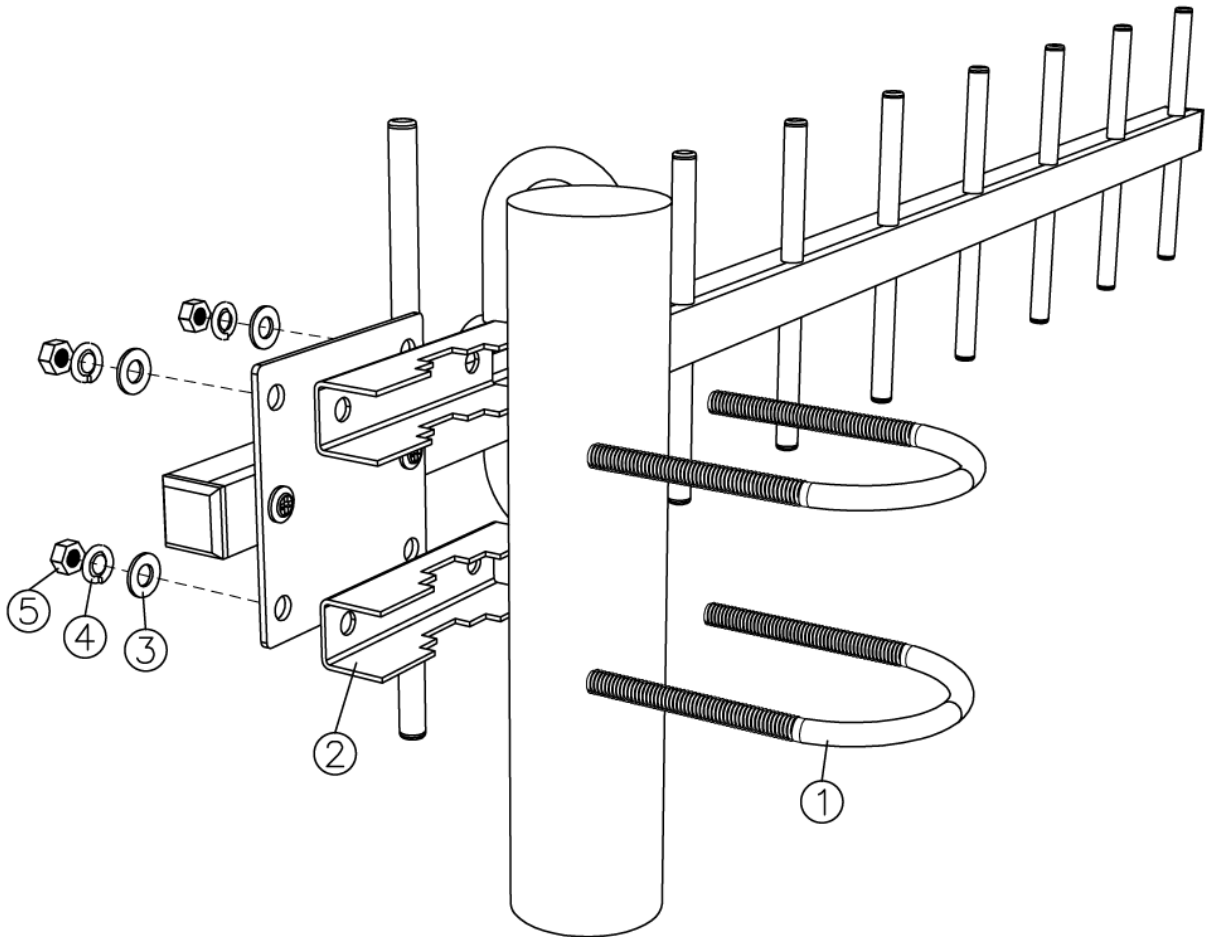


### Horizontal

#### H-Line



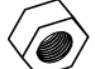
# 1920~2170MHz YAGI Antenna



## ACCESSORIES

①  \* 2 PC

③  \* 4 PC

⑤  \* 4 PC

②  \* 2 PC

④  \* 4 PC