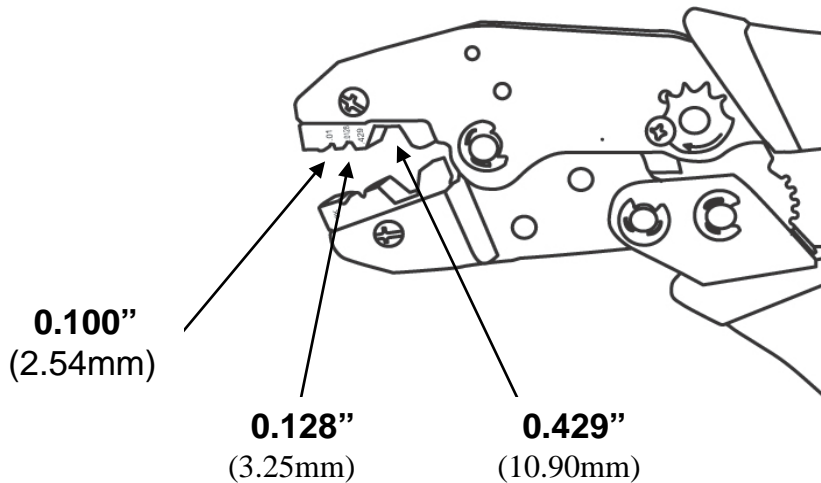



## HT-336K Crimping Tool

### 8.7" Hex Series Crimping Tool

Suit for RG8, 11, 174, 179, 213 cable



#### Specifications

TH-	 $\pm 0.1$			Crimping Cable Size
336K	0.100" (2.54mm)	0.128" (3.25mm)	0.429" (10.90mm)	RG8,11.174.179 213