

Specification:

GSM-9018-04

900MHz/1800MHz GSM 雙頻天線-4dBi

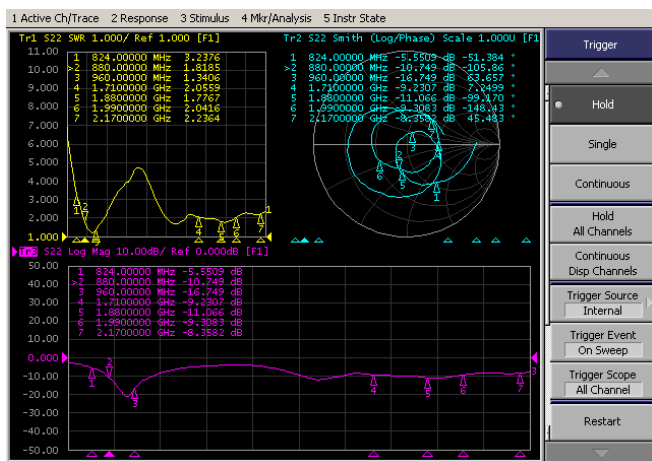
Technical Information	
Item No.	GSM-9018-04
Frequency	824-960MHz 1710-2170MHz
Gain	4 dBi
Polarization	Vertical
VSWR	≤ 4.0:1
Impedance	50 Ω
Dimensions	
Size	H 158 mm
Weight	20 g
Connector	RP SMA Type Male



1. Reliability Testing

Test Item	Procedure	Requirement
1. Visual inspection and Dimension Check	Applicable methods using x5 magnification	follow specification
2. Rapid Changing of Temperature	-40°C (30minutes) to 90°C (30minutes); 24 cycles	After 2 hours recovery: 1. no visible damage 2. Freq. Tol.: < ±5%
3. Damp Heat	24 hours at 60°C; 90 ~ 95% RH	After 2 hours recovery: 1. no visible damage 2. Freq. Tol. : < ±5%
4. Endurance	24 hours at 90°C	After 2 hours recovery: 1. no visible damage 2. Freq Tol.: < ±5%

3.S Parameter Test data



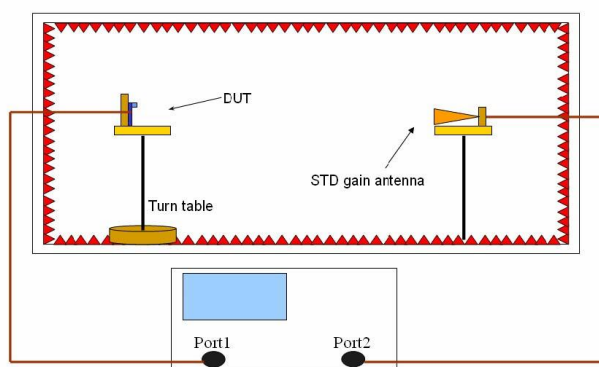
2.Specification

A. Electrical Characteristics	
S.W.R.	824-960MHz: ≤ 4.0 1710-2170MHz: ≤ 4.0
Antenna Gain	4.0 dBi
Impedance	50 Ohm
B. Material	
Material of Radiator	Cu (Plated)
Connector Type	SMA
C. Environmental	
Operation Temperature	- 30 °C ~ + 85 °C
Storage Temperature	-30 °C ~+ 85 °C

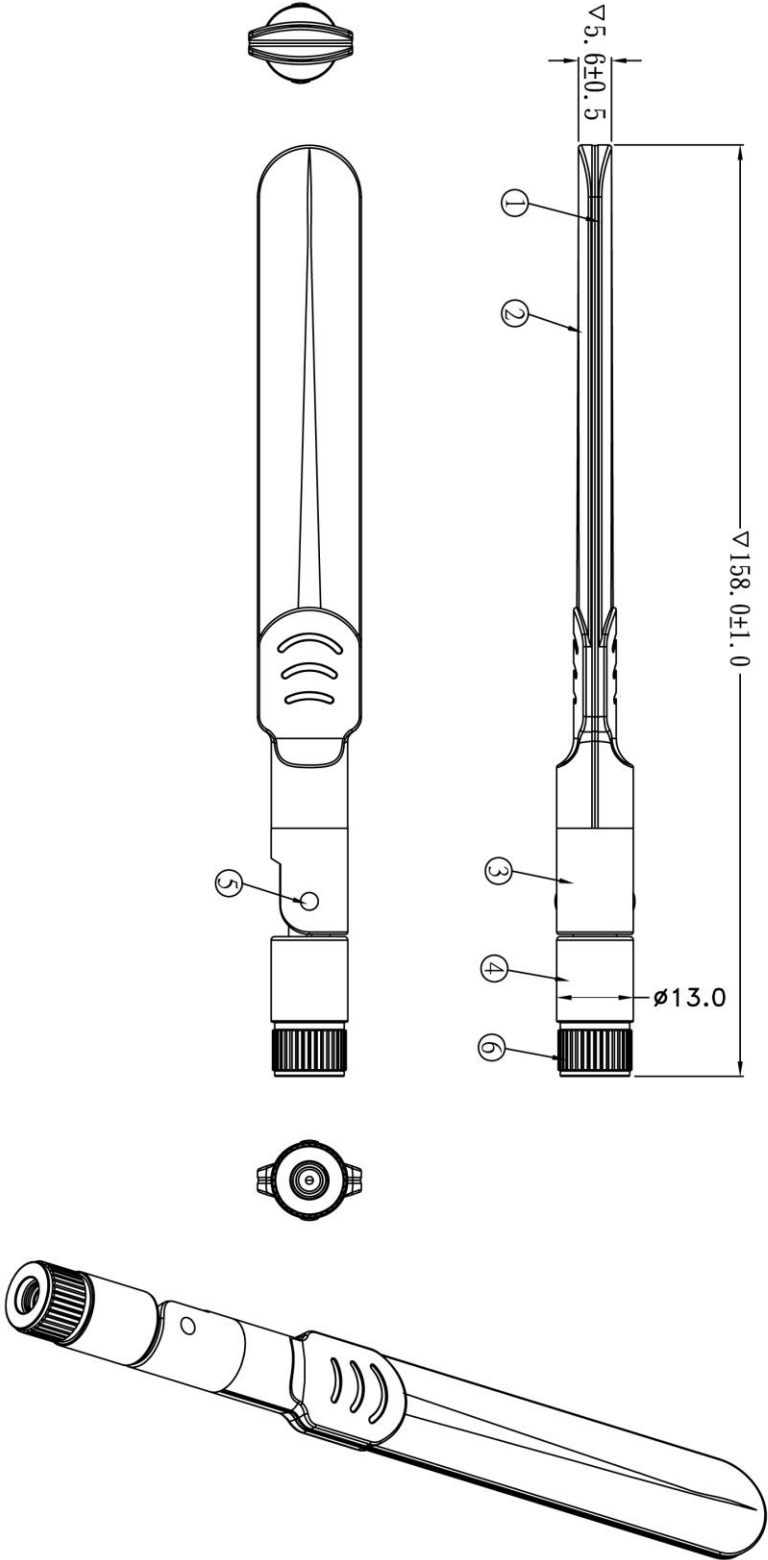
4. Antenna Radiation Pattern

Testing Equipment Specification:
 Antenna Anechoic Chamber Dimension: 8 x 4 x 4 m
 Quiet Zone: 600mm @1 GHz
 Isolation: >100dB @ 1 MHz ~ 10 GHz
 Testing Equipment: Agilent 5071B
 Received Antenna: 0.7 ~ 6.0 GHz for Gain Calibration



Double Ridged Horn Antenna



REV	DESCRIPTION	DRAWN	DATE



6	RP-SMA(M)	1	CU	Copper plated
5	PIN	1	ABS	BLACK
4	CONNECTOR	1	ABS	BLACK
3	BODY3	1	ABS	BLACK
2	BODY2	1	ABS	BLACK
1	BODY1	1	ABS	BLACK
NO	Description	Qty	Material	Finish

R&D		* MAJOR DIMENSION UNLESS OTHERWISE NOTED TOLERANCES 0.X=±0.1 0.XX=±0.05		APPROVED CASH	 RF Castle Electronics Co., Ltd.
		SCALE	3/1	UNIT	
DRAWN		DRAWN DATE		12/05/11	TITLE
KEVIN		DRAWING NO.		GSM-9018-04	REV
					A