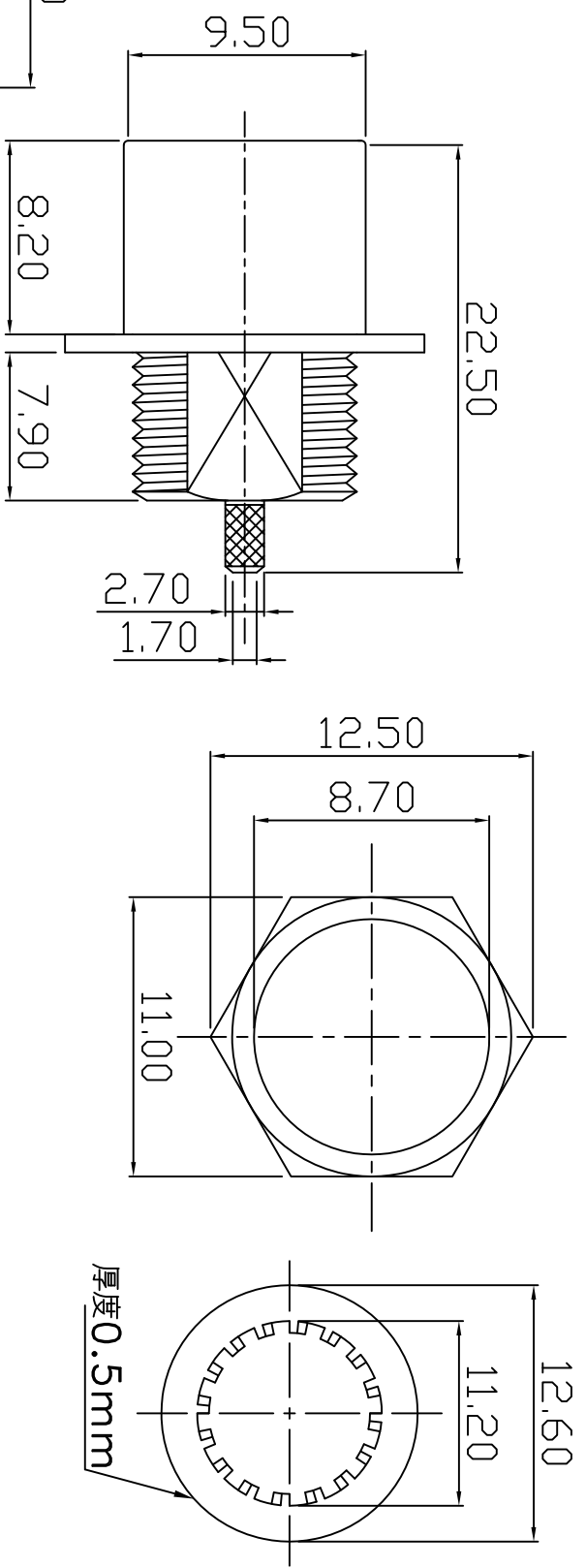
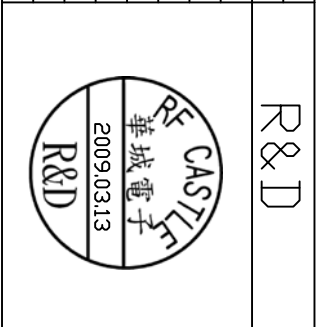


REV	DESCRIPTION	DRAWN	DATE



NO	Description	Qty	Material	Finish
3	DIELECTRIC	1	DELRIN	NONE
2	PIN	1	BRASS	GOLD
1	BODY	1	BRASS	NICKEL



*MAJOR DIMENSION
 UNLESS OTHERWISE NOTED TOLERANCES
 0.5-6=±0.2
 6-30=±0.4
 30-120=±0.6
 120-315=±1.0
 ANGLES=±1°

APPROVED	CASH
CHECKED	LYDIA
DRAWN	PEN
DRAWN DATE	09/03/13

RF Castle 華城電子有限公司
 RF CASTLE ELECTRONICS CO.,LTD

TITLE
 FME MALE BULKHEAD

DRAWING NO.
 FME-2025-1-L-DGN

REV
 GL A

SCALE	4/1	UNIT	MM
-------	-----	------	----