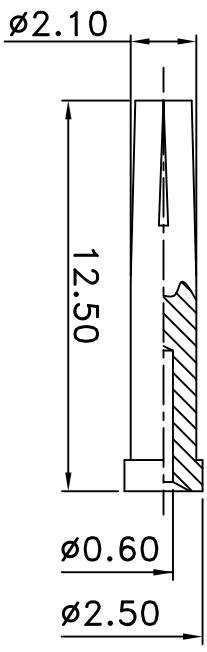
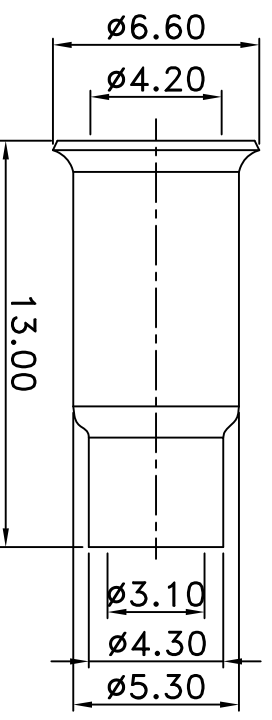
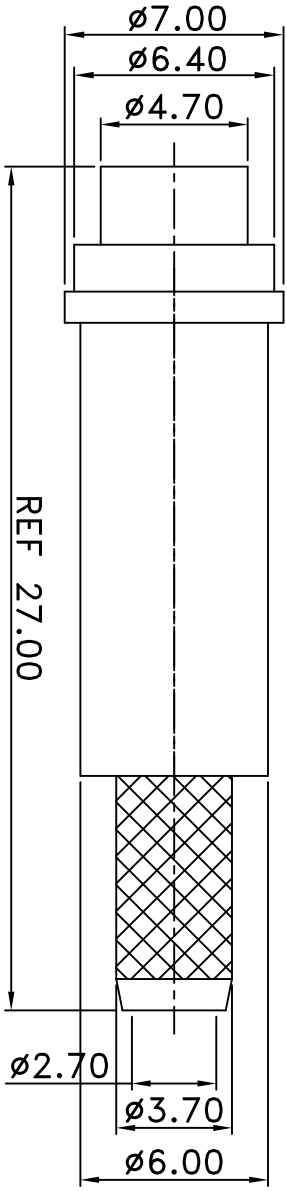
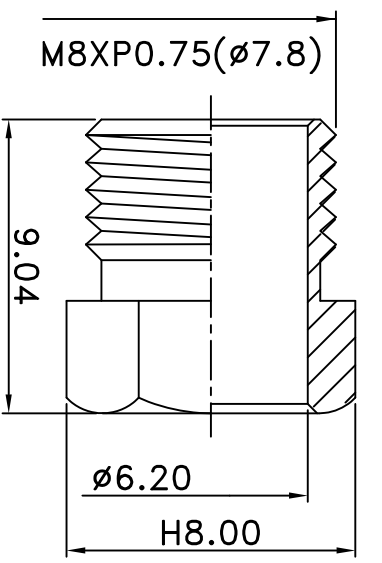
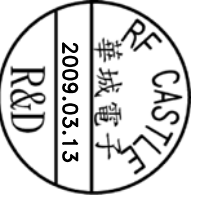


REV	DESCRIPTION	DRAWN	DATE



NO	Description	Qty	Material	Finish
3	DIELECTRIC	1	DELIRIN	NONE
2	PIN	1	BRASS	GOLD
1	BODY	1	BRASS	NICKEL

R&D



* MAJOR DIMENSION
UNLESS OTHERWISE
NOTED TOLERANCES

0.5-6=±0.2
6-30=±0.4
30-120=±0.6
120-315=±1.0
ANGLES=±1°

SCALE	4/1	UNIT	MM
-------	-----	------	----

APPROVED

CASH

CHECKED

LYDIA

DRAWN

PEN

DRAWN DATE 09/03/13



TITLE
FME FEMALE CRIMP TYPE
DRAWING NO.
FME-2016-2-L-DGN

REV
GL A