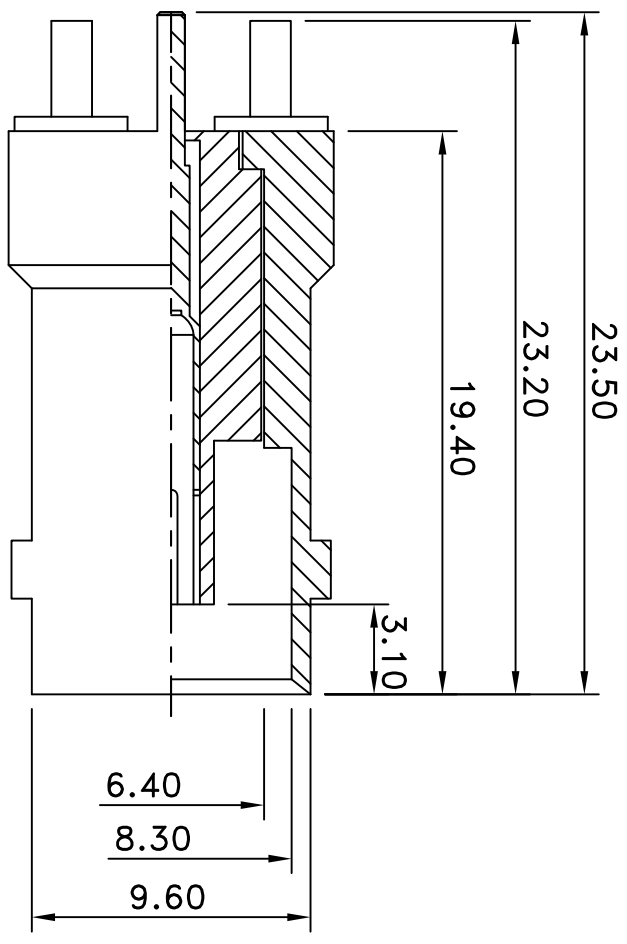
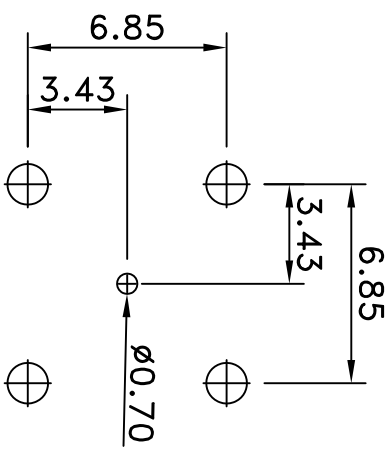
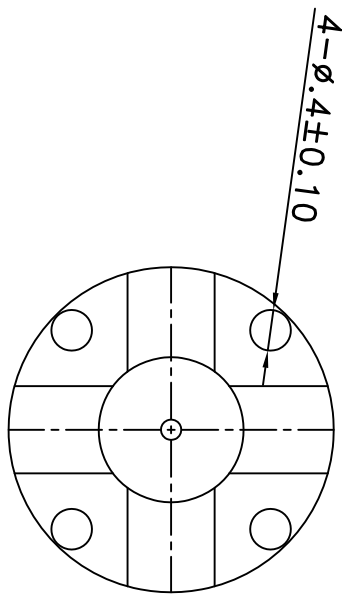


REV	DESCRIPTION	DRAWN	DATE



NO	Description	Qty	Material	Finish
3	DIELECTRIC	1	POM	NONE
2	PIN	1	BRASS	GOLD
1	BODY	1	Zinc alloy for die casting	NICKEL

R&D

\* MAJOR DIMENSION

UNLESS OTHERWISE NOTED TOLERANCES  
 0.5-6=±0.2  
 6-30=±0.4  
 30-120=±0.6  
 120-315=±1.0  
 ANGLES=±1°

APPROVED  
 CASH

CHECKED  
 LYDIA

DRAWN  
 KEVIN

SCALE 5/1 UNIT MM DRAWN DATE 10/12/14

RF CASTLE 華城電子有限公司  
 RF CASTLE ELECTRONICS CO., LTD

TITLE  
 BNC FEMALE PCB MOUNT

DRAWING NO.  
 BNC-1321-2-75-PGN

REV  
 A