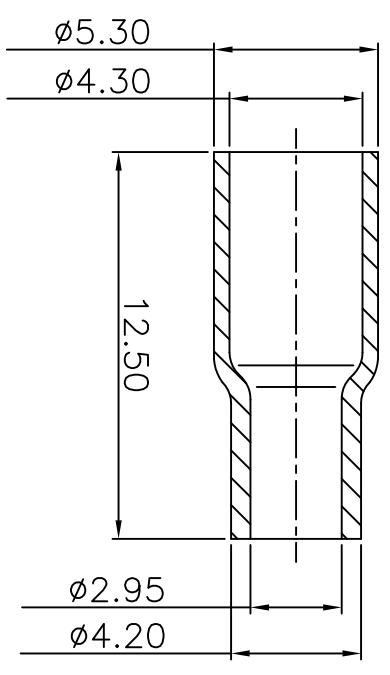
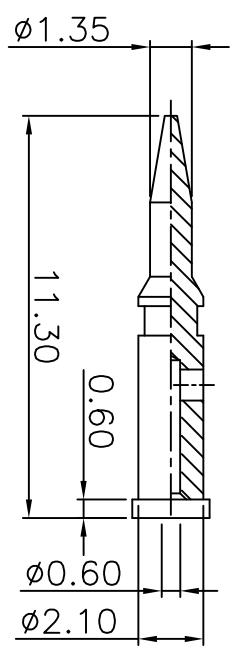
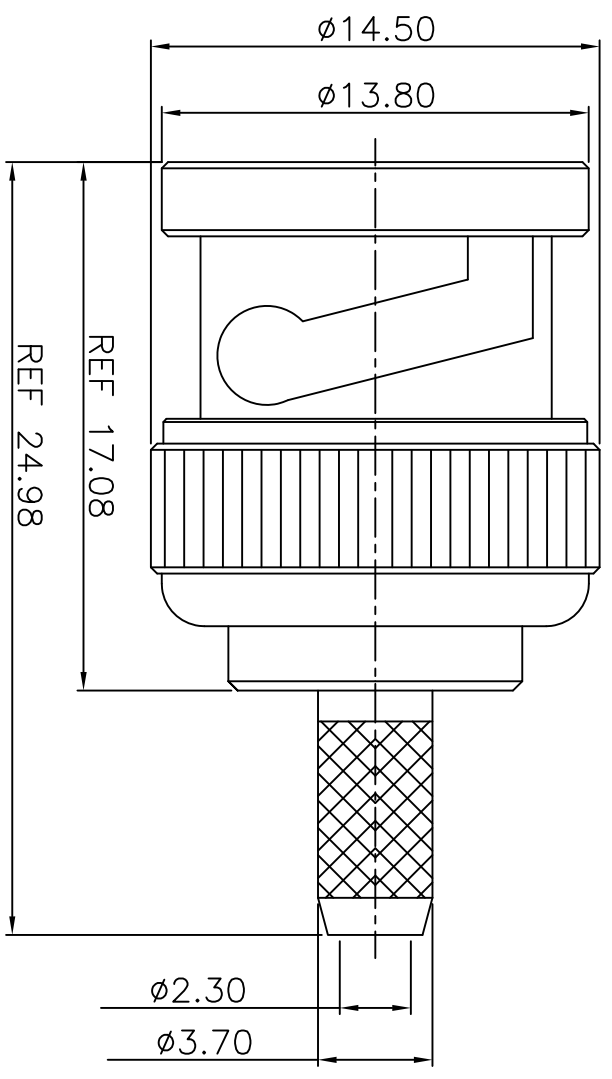
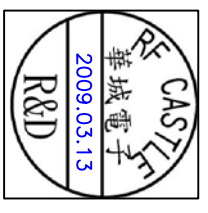


REV	DESCRIPTION	DRAWN	DATE



NO	Description	Qty	Material	Finish
3	DIELECTRIC	1	TEFLON	NONE
2	PIN	1	BRASS	GOLD
1	BODY	1	BRASS	NICKEL

R&D



\* MAJOR DIMENSION

UNLESS OTHERWISE NOTED TOLERANCES  
 0.5-6 = ±0.2  
 6-30 = ±0.4  
 30-120 = ±0.6  
 120-315 = ±1.0  
 ANGLES = ±1.0

SCALE	4/1	UNIT	MM
-------	-----	------	----

APPROVED

CASH

CHECKED

LYDIA

DRAWN

PEN

DRAWN DATE 09/03/13

**RF CASTLE** 華城電子有限公司  
 RF CASTLE ELECTRONICS CO., LTD

TITLE  
 BNC MALE CRIMP TYPE

DRAWING NO.  
 BNC-1301-3-L-TGN

REV  
 GL A