



Applications:

1.71GHz-2.17GHz 12dBi ISM Band
DCS1800 GSM1800 1.8GHz 2G
PCS1900 GSM1900 1.9GHz
PCS2000 GSM2000 3G 3.5G
WiFi, CDMA, RFID, GSM
Directional and multipoint applications
Public Wireless Hotspot
Wireless Video Systems

Features :

Superior Performance
The Weight is light
Good appearance designs
Optional Mounting Kits available
Installed for vertical or horizontal polarization
Heavy Duty monuting
RoHS Compliant

SPECIFICATIONS:

SPECIFICATIONS:

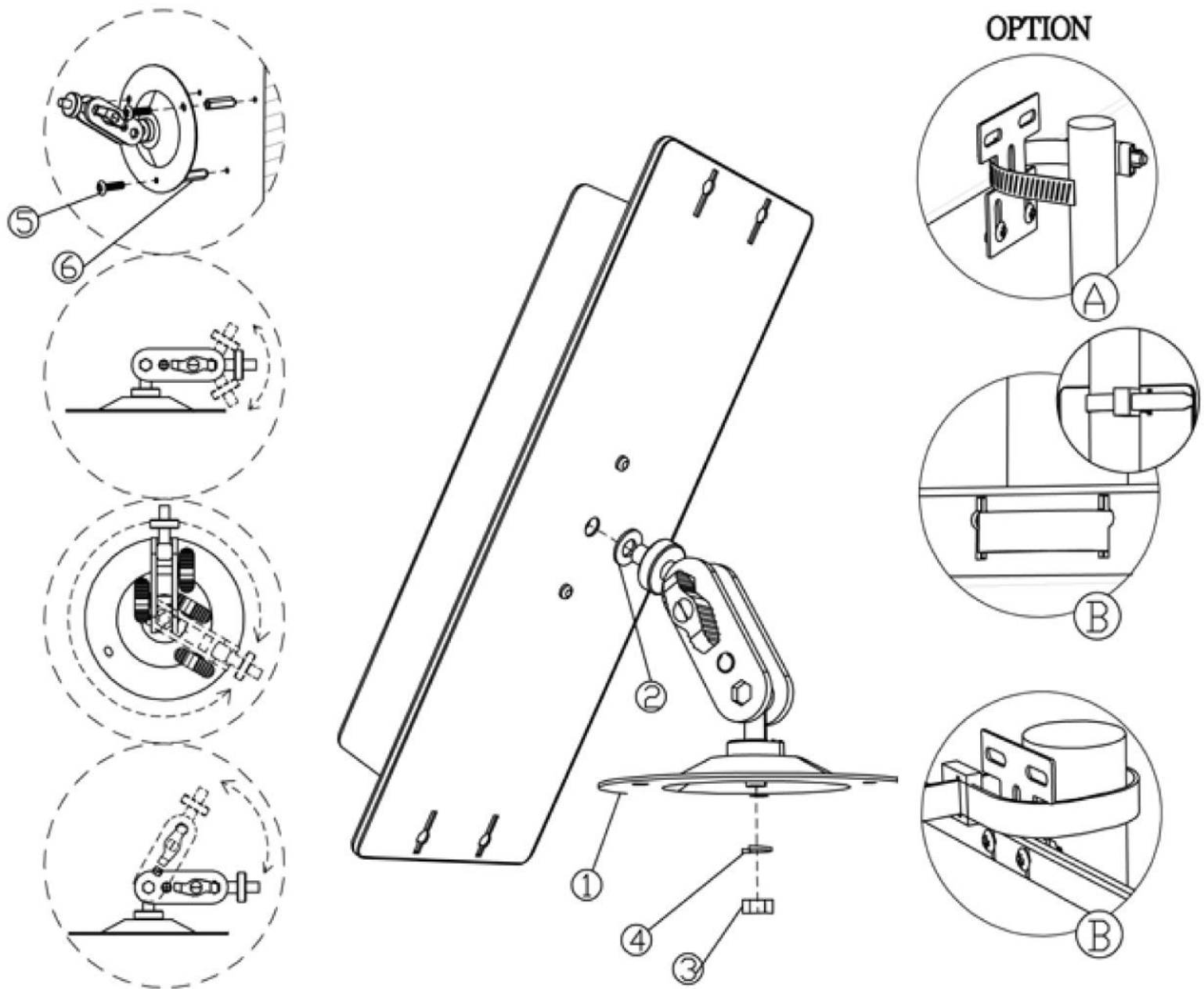
Applications:

Frequency Range 1.71~2.17GHz
V.S.W.R ≤1.5
Return Loss ≥-14db
Antenna Type PCB patch array
Gain 12dBi
Polarization Vertical or Horizontal
Maximum Power 50W
Vertical Beam-with 28°
Horizontal Beam-with 38°
Impedance 50Ω
Connector RP SMA male/1.5m

Mechanical Specifications:

Size L215 x W90 x D30mm
Weight 245g
Wind Survival N/A
Radome Material ABS + UV resistance
Operating Temperature -40°C to +80°C
Clamps Multiple options
Mounting Multiple options
RoHS Compliant YES

Antenna Mounting Direction



ACCESSORIES

- | | | | | | |
|---|---|--------|---|---|--------|
| ① |  | * 1 PC | ② |  | * 1 PC |
| ③ |  | * 1 PC | ④ |  | * 1 PC |
| ⑤ |  | * 3 PC | ⑥ |  | * 3 PC |